

Industrial grade 30A Non-NEMA locking devices

Project Name:	Prepared By:
Project Number:	Date:
Catalog Number:	Type:

Description

Non-NEMA 30A, 125/250V/AC, 3P-3W



Receptacle Plug



AH3331N



AH3333N



AH3330-2



AH3336N

Design features for plug & connector

- All nylon construction
- EPDM gasket seals cord hole from dust and debris
- Back wire terminal clamps for easy secure wiring
- Individual wiring compartments with tapered channel for easy insertion of wires
- Clear cover over wiring compartments allows easy inspection of wiring terminations
- Rating printed on side of device
- Largest-in-class grommet size allows for entire cord size range

Design features for receptacle

- Clearly marked rating, NEMA configuration and approval listings on receptacle face
- One piece brass contacts offer superior performance and minimum heat rise
- Back and side wiring terminal clamps for easy, secure wiring

Design features for flanged inlet & outlet

- All nylon construction
- Mounting holes interchangeable with competitive units
- Back wire terminal clamps for easy, secure wiring
- Individual wiring compartments with tapered channel for easy insertion of wires

Table 1. Non-NEMA 30A Industrial Grade Locking Devices

Catalog No.	Description	Amps	Volts	Color
<input type="checkbox"/> AH3331N	Safety grip plug	30	125/250	Black & white
<input type="checkbox"/> AH3333N	Safety grip connector	30	125/250	Black & white
<input type="checkbox"/> AH3330-2	Single receptacle	30	125/250	Black
<input type="checkbox"/> AH3336N	Flanged outlet	30	125/250	Black & white
<input type="checkbox"/> AH3337N	Flanged inlet	30	125/250	Black & white

Compliances, specifications and availability are subject to change without notice.



Powering Business Worldwide

Project Name:	Prepared By:
Project Number:	Date:
Catalog Number:	Type:

Plug & Connector

Non-NEMA 30A, 125/250V/AC, 3P-3W

Table 2. Specifications

Catalog No.	Non-NEMA 30A Plug & Connector
NEMA Config	Non-NEMA 30A
Wiring Type	Back wire
Environmental Specifications	Flammability: Meets UL94 requirements; V2 rated Temperature Rating: -40°C to 60°C (-40°F to 140°F)
Electrical Specifications	Dielectric Voltage: Twice the device rating + 1000V per UL498 Current Interrupting: Yes, at full-rated current Temperature Rise: Max. 30°C (86°F) after 50 cycles of overload at 150% of rated current (DC)
Mechanical Specifications	Terminal Accommodation: #16 - #8 AWG Voltage Ratings: Permanently marked on device

Table 3. Materials

Catalog No.	Non-NEMA 30A Plug & Connector
NEMA Config	Non-NEMA 30A
Outer Shell	Nylon
Interior Body	Nylon
Terminal Retainer	Polycarbonate
Blades	Brass
Line Contacts	Bronze, tin plated
Terminal Clamps	Steel, tin plated
Terminal Screws	#10-32 brass, zinc plated (neutral screw)
Ground Screw	#10-32 brass
Assembly Screws	Steel, nickel plated
Gasket/Dust Shield	EPDM
Cord Clamp Screws	Steel, nickel plated
Cord Clamp	Nylon

Product Dimensions

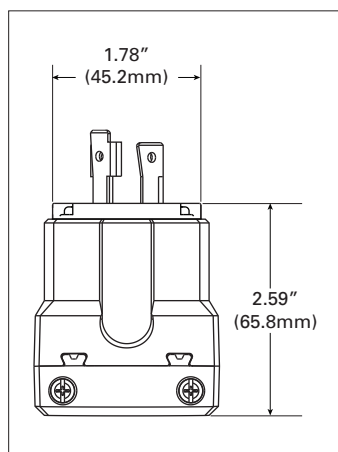


Figure 1. AH3331N

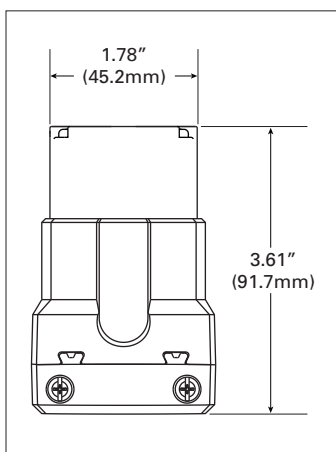


Figure 2. AH3333N

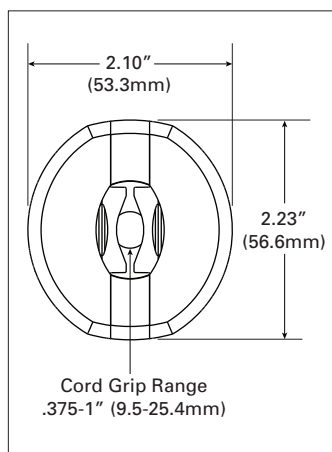


Figure 3. Base Angle

Compliances, specifications and availability are subject to change without notice.

Project Name:	Prepared By:
Project Number:	Date:
Catalog Number:	Type:

Single Receptacle

Non-NEMA 30A, 125/250V/AC, 3P-3W

Table 4. Specifications

Catalog No.	Non-NEMA 30A Single Receptacle
NEMA Config	Non-NEMA 30A
Wiring Type	Back & side wire
Environmental Specifications	Flammability: Meets UL94 requirements; V2 rated Temperature Rating: -40°C to 60°C (-40°F to 140°F)
Electrical Specifications	Dielectric Voltage: ≤300V: 2000V, 301-600V: 3000V per UL498 Current Interrupting: Yes, at full-rated current Temperature Rise: Max. 30°C (86°F) after 50 cycles of overload @ 150% of rated current (DC)
Mechanical Specifications	Terminal Accommodation: #14 - #8 AWG Voltage Ratings: Permanently marked on device

Table 5. Materials

Catalog No.	Non-NEMA 30A Single Receptacle
NEMA Config	Non-NEMA 30A
Face	Polycarbonate
Base	Phenolic resin
Mounting Strap	0.050" thick steel, zinc plated
Line Contacts	0.031" thick brass
Terminal Screws	#10-32 brass, nickel plated (neutral screw)
Ground Screw	#10-32 brass (green)
Terminal Clamps/Plates	0.081" thick brass
Ground Contacts	0.031" thick brass
Mounting Screws	Steel, zinc plated

Product Dimensions

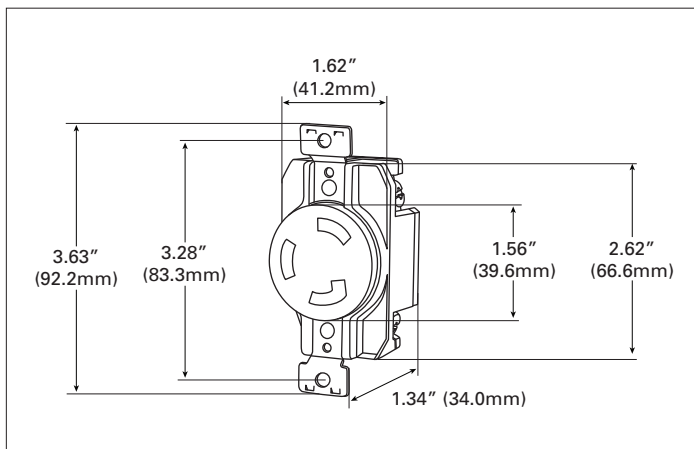


Figure 4. AH3330-2

Compliances, specifications and availability are subject to change without notice.

Project Name:	Prepared By:
Project Number:	Date:
Catalog Number:	Type:

Flanged Outlet & Inlet

Non-NEMA 30A, 125/250V/AC, 3P-3W

Table 6. Specifications

Catalog No.	Non-NEMA 30A Flanged Outlet	Non-NEMA 30A Flanged Inlet
NEMA Config	Non-NEMA 30A	Non-NEMA 30A
Wiring Type	Back wire	Back wire
Environmental Specifications	Flammability: Meets UL94 requirements; V2 rated Temperature Rating: -40°C to 60°C (-40°F to 140°F)	Flammability: Meets UL94 requirements; V2 rated Temperature Rating: -40°C to 60°C (-40°F to 140°F)
Electrical Specifications	Dielectric Voltage: ≤300V: 2000V, 301-600V: 3000V per UL498 Current Interrupting: Yes, at full-rated current Temperature Rise: Max. 30°C (86°F) after 50 cycles of overload @ 150% of rated current (DC)	Dielectric Voltage: ≤300V: 2000V, 301-600V: 3000V per UL498 Current Interrupting: Yes, at full-rated current Temperature Rise: Max. 30°C (86°F) @ maximum rated current (DC)
Mechanical Specifications	Terminal Accommodation: #14 - #8 AWG Voltage Ratings: Permanently marked on device	Terminal Accommodation: #14 - #8 AWG Voltage Ratings: Permanently marked on device

Table 7. Materials

Catalog No.	Non-NEMA 30A Flanged Outlet	Non-NEMA 30A Flanged Inlet
NEMA Config	Non-NEMA 30A	Non-NEMA 30A
Outer Shell	Nylon	Nylon
Interior Body	Nylon	Nylon
Terminal Retainer	Polycarbonate	Polycarbonate
Blades	N/A	0.062" thick brass
Line Contacts	0.031" thick bronze	N/A
Terminal Clamps	Steel	Steel
Terminal Screws	#10-32 brass, nickel plated (neutral screw)	#10-32 brass, nickel plated (neutral screw)
Ground Screw	#10-32 brass (green)	#10-32 brass (green)
Assembly Screws	Steel, nickel plated	Steel, nickel plated
Mounting Screws	Steel, zinc plated	Steel, zinc plated

Product Dimensions

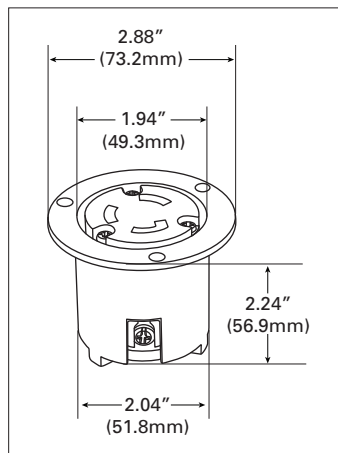


Figure 5. AH3336N

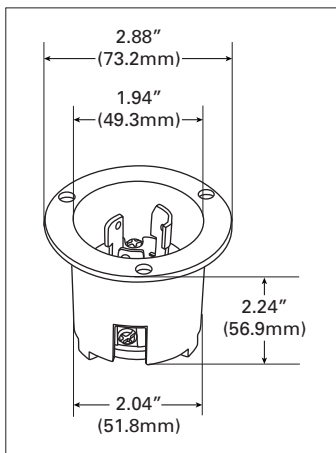


Figure 6. AH3337N

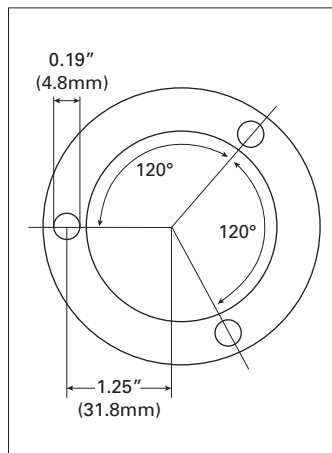






Figure 7. Top View


Compliances, specifications and availability are subject to change without notice.

Project Name:	Prepared By:
Project Number:	Date:
Catalog Number:	Type:

Certifications & Compliances

Catalog No.				
AH3331N	•	•	•	•
AH3333N	•	•	•	•
AH3330-2		•	•	•
AH3336N		•	•	•
AH3337N	•	•	•	•

KEY:  cULus  UL  NAFTA  ROHS

 Parts are manufactured and designed in accordance with article 4 of the European Union's RoHS2 directive 2011/65/EU

Compliances, specifications and availability are subject to change without notice.

Electrical Sector
203 Cooper Circle
Peachtree City, GA 30269
United States
Eaton.com
Arrowhart.com

Electrical Sector
Canada Operations
5925 McLaughlin Road
Mississauga, Ontario, L5R 1B8
Canada
EatonCanada.ca
Arrowhart.com

Electrical Sector
Mexico Operations
Carr. Tlalnepantla -
Cuautitlan Km 17.8 s/n
Col. Villa Jardin esq.
Cerrada 8 de Mayo
Cuautitlan, Mexico CP 54800
Mexico
Eaton.mx
Arrowhart.com

Eaton
1000 Eaton Boulevard
Cleveland, OH 44122
United States
Eaton.com

© 2014 Eaton
All Rights Reserved
Printed in USA
Publication No. 125-0110-13
January 2014

Eaton is a registered trademark.

All other trademarks are property
of their respective owners.